

- o Flat Cable Connectors SEK
- o *har-mik®*
- o D-Sub
- o InduCom

➔ Applications



## Product details

---

### 09 16 108 3001 Male insert, Han 108 DD

Series	Han DD®
Number of contacts	108 poles + PE
Size of hood/ housing	Han® 24 B
Termination	Crimp termination
Insert material	Standard material
Contacts	Order separately
Electrical data	10 A 250 V 4 kV 3
RoHS compliant	Yes

#### Available Downloads

Title	Format	
Data sheet	PDF	↓ download
CAD data 2D	DXF	↓ download
CAD data 3D	IGES	↓ download

Inquiry

5

4

3

2

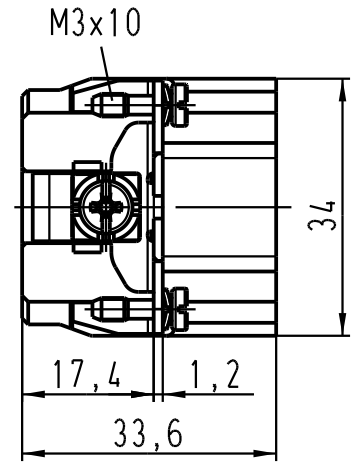
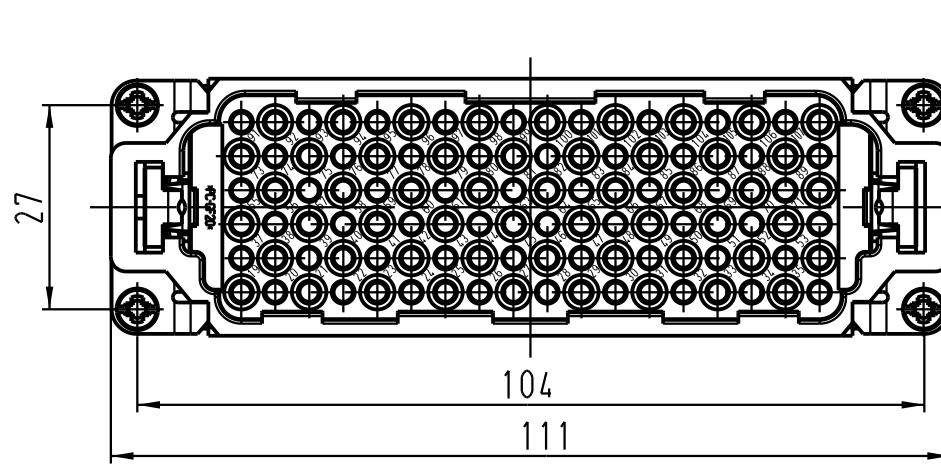
1

D

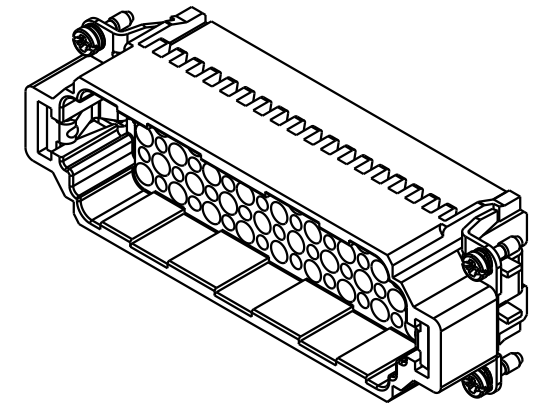
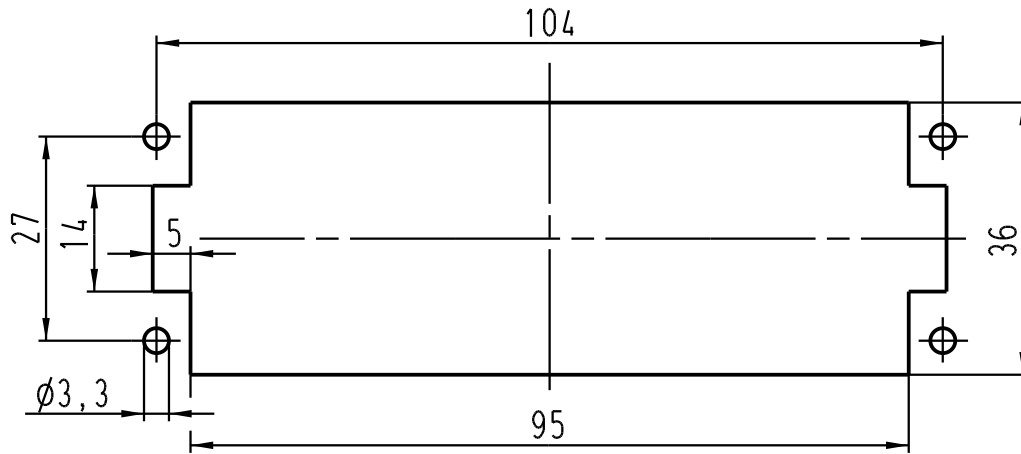
C



B

A



Montageausschnitt/  
panel cut out



 All Dimensions in mm Original Size DIN A 4	Techn. Character.			Nicht tolerierte Masse / Free size tolerances	
		Dat.	Name	Massstab / Scale	
	Detail.	24.06.03	Ho	1:1	
	Insp.		KR		
	Stand.				
410513	HARTING Electric GmbH & Co. KG			Han 108DD-M-c Stifteinsatz / male insert	
Mod.	Dat.	Name	TB 09 16 108 3001		
	D-32339 Espelkamp			Sub. TB 09 16 108 3001 v. 22.03.99	
				Blatt / page	